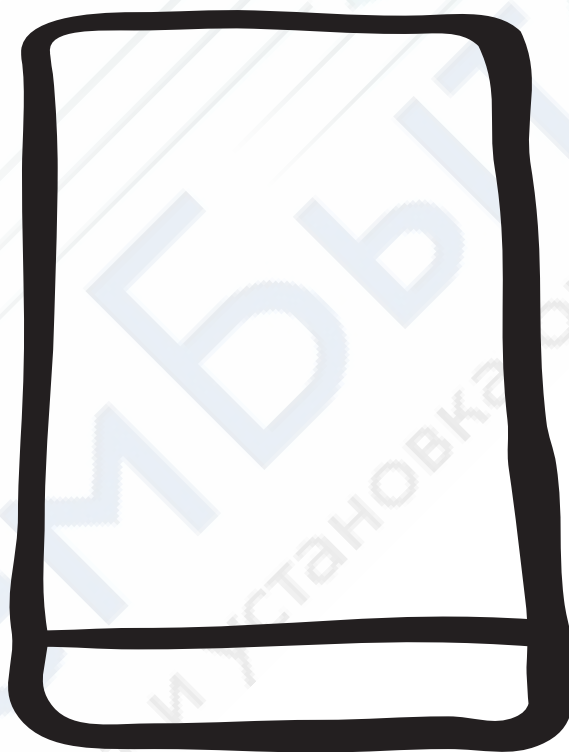


kühlschrank / refrigerator / kylskåp / jääkaappi / холодильник

GEBRAUCHSANWEISUNGEN INSTRUCTION BOOKLET BRUKSANVISNING KÄYTTÖOHJE РУКОВОДСТВО ПО ЭКСПЛУАТАЦИИ



ERN 1672

D

GB

S

FIN

RUS



Safety Instructions



Please read these operating instructions carefully before installing the appliance. These warnings are provided in the interests of your safety. Ensure you fully understand them before installing or using the appliance. If you are unsure about the meaning of these warnings contact the Customer Care Department.

Domestic Use

- The domestic refrigerators and freezers are designed to be used specifically for the storage of edible foodstuffs only.
- Check the appliance for transport damage. Under no circumstances should a damaged appliance be installed. In the event of damage please contact your retailer.
- This appliance is heavy. The edges and projecting parts of the cabinet may be sharp. Be careful when moving the cabinet and always use gloves.
- Any electrical work required to install this appliance should be carried out by a qualified electrician or competent person.
- Ensure that the appliance does not stand on the electrical supply cable.
- Do not use electrical appliances inside the appliance
- Do not keep carbonated drinks or bottles in the freezer compartment. The glass bottles may break.


- Ice lollies can cause 'frost/freezer burns' if consumed straight from the freezer.
- It is dangerous to try and alter the specifications or modify this product in any way.
- Under no circumstances should you attempt to repair the appliance yourself. Refer to your local Service Centre, and always insist on genuine spare parts.

Child Safety

- This appliance is designed to be operated by adults only. There is a risk of suffocation! Keep packaging material away from children!
- In case of disposal of the appliance, cut off the supply cable as close as possible and make the lock unusable, to prevent children from closing themselves inside the appliances.



Environment Protection

- This appliance does not contain gasses which could damage the ozone layer, in either its refrigerant circuit or insulation materials. The appliance shall not be discarded together with the urban refuse and rubbish. Avoid damaging the cooling unit, especially at the rear near the heat exchanger. Information on your local disposal sites may be obtained from your municipal authorities.
- The materials used on this appliance marked with the symbol  are recyclable.

Index

Safety Instructions	10
Use and Control Before Use / Starting the appliance / Temperatur control / Internal parts	11
Hints	12
Maintenance Defrosting / Cleaning	12
Changing the light bulb	13
Something not Working	13
Customer Service and Spare Parts	14
Technical Specifications	14
Installation Positioning	14
Electrical connection	15
Door reversal	15
Building-in	16

Use and Control

Before Use

i Wait two hours before connecting the appliance to allow the oil to flow back in the compressor.

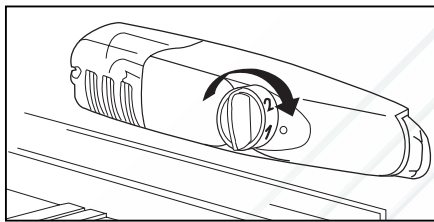
- Before using the appliance for the first time, wash the interior and all internal accessories with lukewarm water and some neutral soap so as to remove the typical smell of a brand-new product, then dry thoroughly.

! Do not use detergents or abrasive powders, as these will damage the finish.

- Remove safety elements used for transportation.

Starting the appliance

- Insert the plug into the wall socket and turn the thermostat knob clockwise beyond position «O» (OFF).



- Turn the thermostat control to the required setting.

Temperature Control

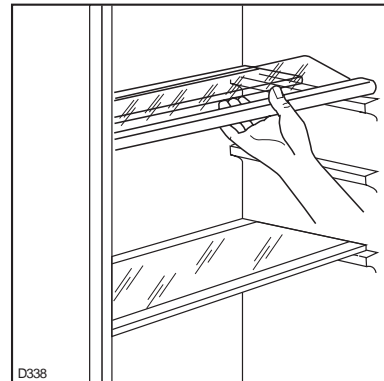
- The thermostat control situated inside the fridge compartment regulates the temperature of the appliance.
- It allows you to adjust the temperature inside the refrigerator according to use and external conditions.
 - **Setting „1“** = highest temperature, warmest setting
 - **Setting „6“** = lowest temperature, coldest setting.
 - **Setting „0“** = Off

A medium setting is generally the most suitable.

Internal Parts

Storage shelves

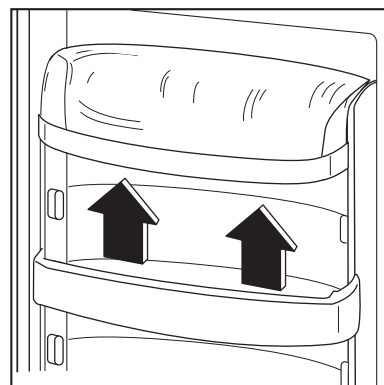
- The shelves can be removed for cleaning.
- To permit storage of food packages of various sizes, the shelves can be placed at different heights.
- To remove the internal shelf pull forward until it can be tipped up or down and removed.



- Please do the same in reverse to insert the shelf at a different height.

i The glass shelf above the vegetable drawers and the bottle shelf should always remain in position, to ensure correct air circulation.

- To permit storage of food packages of various sizes, the central door shelf can be adjusted in height.
- Gradually pull the shelf in the direction of the arrows until it comes free, then reposition as required.



- For more thorough cleaning, the top and bottom door shelves can be removed by pulling them in the direction of the arrows, then refitting them in position.

Hints



Saving Energy

- Pay careful attention to where the cabinet is placed. See the section "Installation". When installed correctly the cabinet will consume less energy.
- Try to avoid keeping the doors open for long periods or opening the doors too frequently as warm air will enter the cabinet and cause the compressor to switch on unnecessarily often.
- If the ambient temperature is high, the thermostat knob is on the coldest setting (higher numbers) and the appliance is fully loaded, the compressor may run continuously, causing frost or ice to form on the evaporator. If this happens, turn the knob to a warmer setting (lower numbers) to allow automatic defrosting and so a saving in electricity consumption.
- Do not place warm foods inside the appliance. Allow warm foods to cool first.
- Keep the heat emitting condenser, the metall grille on the rear wall of your appliance, always clean.



Hints for refrigeration

- Do not store warm food or evaporating liquids in the refrigerator and do cover or wrap up the food, particularly if it has a strong smell.

To help you use your refrigerator correctly, here are some useful hints:

- **Raw meat** (beef, pork, lamb & poultry): wrap in polythene bags and place on top of the salad compartment, this being the coldest spot in the refrigerator.
Meat can only be stored safely in this way for one or two days at the most.
- **Cooked food, cold cuts, jelly, etc.:** these should be well covered and can be stored on any of the glass shelves.
- **Fruit & vegetables:** these should be thoroughly cleaned and placed in the bottom drawer.
- **Butter & cheese:** these should be placed in special airtight containers or wrapped in aluminium foil or polythene bags to keep out as much air as possible.
- **Milk bottles:** these should have a top and should be stored in the bottle rack on the door.
Bananas, potatoes, onions and garlic, if not packed, must not be kept in the refrigerator.

Maintenance



Unplug the appliance before carrying out any maintenance operation.

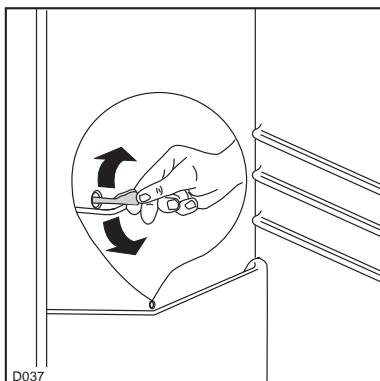


Warning

This appliance contains hydrocarbons in its cooling unit maintenance and recharging must therefore only be carried out by authorised technicians.

Defrosting

- Defrosting the refrigerator compartment is automatic. The defrost water drains out through a trough into a container at the back of the appliance, above the motor compressor, where it evaporates.
- **It is important to periodically clean the defrost water drain hole.**



Cleaning



Never use metal objects for cleaning your appliance as it may get damaged.

NEVER use detergents, abrasive powders, highly perfumed cleaning products or wax polishes to clean the interior as these will damage the surface and leave a strong odour.

Clean the inside with warm water and bicarbonate of soda. Rinse and dry thoroughly.

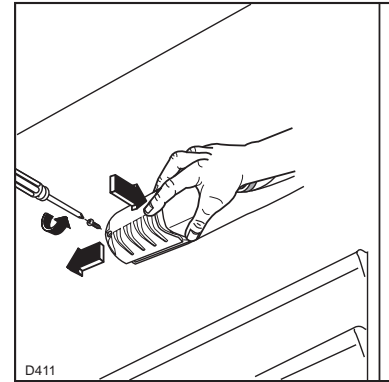
To guarantee a safe operation of the fridge, once a year remove the ventilation grille at the base and clean the air channels with a vacuum cleaner.

When the appliance is not in use

Disconnect the appliance from the electricity supply. Empty all foods and clean the appliance, leaving the doors ajar to prevent unpleasant smells.

Changing the light bulb

- Should the interior light fail to work, first switch off the appliance and disconnect from the electricity supply, then replace the bulb as follows:
 1. unscrew the light cover securing screws.
 2. unhook the moving part by pressing it as shown in the figure.
 3. Replace the bulb by other with another with the same characteristics.

**Something not Working**

Problems may be due to causes which can easily be solved before calling the Technical Service. Please follow these instructions:

SYMPTOM	SOLUTION
Door does not close	Level properly the appliances if it is not well levelled. Weight surpasses the storage limit of the door shelf so spread weight more evenly or take some products out. Readjust the door if it is not properly aligned.
It is too warm inside the refrigerator	Set a lower temperature. Distribute the food products to allow cold air to circulate around them. Make sure that the door is completely closed and that the insulating strip is complete and clean. The temperature where the cabinet is placed is above normal room temperature.
It is too cold inside the refrigerator.	Set a warmer temperature.
The compressor works continuously.	Turn the thermostat knob to a lower number. The temperature where the cabinet is placed is above normal room temperature. Check that the ventilation is sufficient and that the ventilation openings are unobstructed. The cause could be the introduction of large quantities of food and/or frequent opening/closing of the door.
There is water inside/outside the refrigerator.	Sometimes is normal. During automatic defrosting frost thaws on the cooling plate.
Water comes out on the floor.	Place the drain hose at the back of the cabinet above the drain bowl.
Noises	Sometimes this is normal. Temperature control may cause clicking sounds when the system is connected or disconnected. The injected cooling gas may produce a gurgling sound while passing through the tubes. The motor may cause a humming noise and/or slight bumping. The insulation material used has a tendency to slightly increase noise levels, how ever it allows for much better insulation and a lower energy consumption.

Customer service and spare parts

If you cannot find the remedy for a malfunction in these operating instructions, please contact your dealer or our customer service department and consult the Guarantee card.

Selective ordering of replacement parts can save unnecessary travel and costs.

For this reason always provide the following appliance information:

- **Model Name**
- **Model Number (PNC)**
- **Serial Number (S-No.)**

This information can be found on the rating plate inside the cabinet on the left hand wall. We recommend that you enter this information here, so that it is handy if needed.

Technical specifications

The technical data is indicated in the rating plate on the left side inside the appliance.

Installation

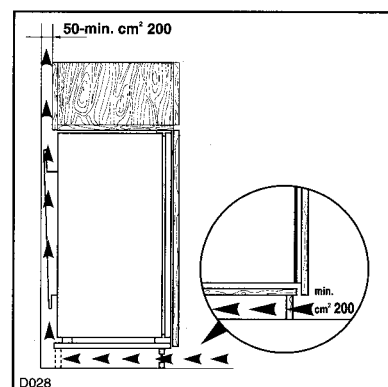


Take utmost care when handling your appliance so as not to cause any damages to the cooling unit with consequent possible fluid leakages.

- During normal operation, the condenser and compressor at the back of the appliance heat up considerably. Always ensure that there is adequate ventilation as a failure to do this will result in component failure and possible food loss. See installation instructions.
- **Important:** if the supply cord is damaged, it must be replaced by a special cord or assembly available from the manufacturer or its service agent.

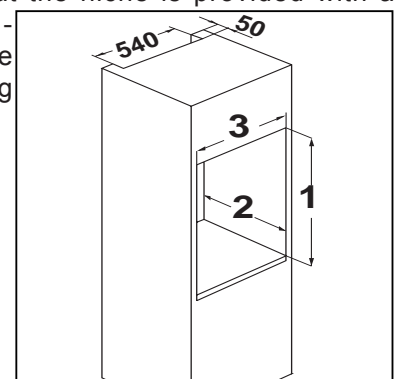
Positioning

- Unpack the cabinet and check that it is in good condition and free of any transport damage.
- Place the refrigerator away from direct sunlight and heat sources.
- Maintain recommended ventilation.



It is necessary that the niche is provided with a conduct of ventilation having the following dimensions:

Depth 50 mm
Width 540 mm



The climate classification can be found on the rating plate, which is located inside the cabinet on the left hand wall.

The following table shows which ambient temperature is correct for each climate classification:

Climate classification	for an ambient temperature of
SN	+10 to +32°C
N	+16 to +32°C
ST	+18 to +38°C
T	+18 to +43°C

When the ambient temperature is not included within the range indicated for the class of this appliance, the storage temperature in the appliance cannot be guaranteed; therefore it is advisable to use the food stored as soon as possible.

Electrical connection

Before plugging in, ensure that the voltage and frequency shown on the serial number plate correspond to your domestic power supply. Voltage can vary by $\pm 6\%$ of the rated voltage. For operation with different voltages, a suitably sized auto-transformer must be used.



Important

The appliance must be earthed.

The power supply cable plug is provided with a contact for this purpose.

If the domestic power supply socket is not earthed, connect the appliance to a separate earth in compliance with current regulations, consulting a specialist technician.

The Manufacturer declines all responsibility if the above safety precautions are not observed.

This appliance complies with the following E.E.C. Directives:



- 87/308 EEC of 2/6/87 relative to radio interference suppression.
- 73/23 EEC of 19.2.73 (Low Voltage Directive) and subsequent modifications.
- 89/336 EEC of 3.5.89 (Electromagnetic Compatibility Directive) and subsequent modifications.

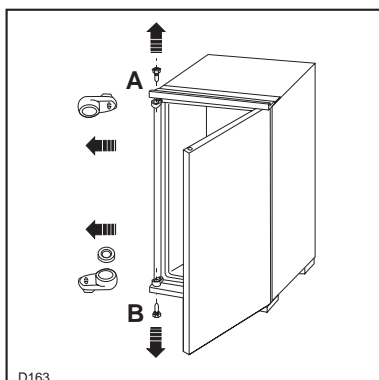


Attention!

It must be possible to disconnect the appliance from the mains power supply; the plug must therefore be easily accessible after installation.

Door reversal

The appliance's door has been locked in position for transport by means of pins on both sides. According to the door opening direction, remove relevant pins at the top and at the bottom.



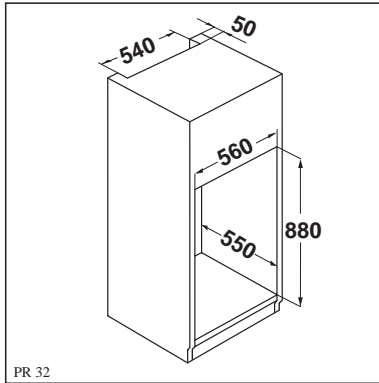
Warning!

If the ambient temperature is cold (i.e. in Winter), the gasket may not fit perfectly to the cabinet. In that case, wait for the natural fitting of the gasket or accelerate this process by heating up the part involved with a normal hairdrier.

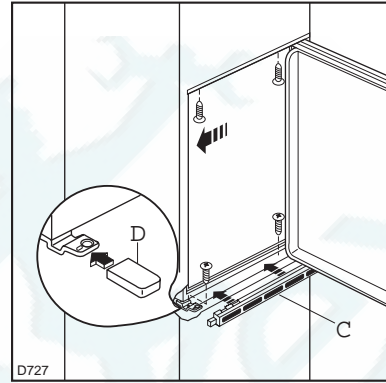
Building-in

Dimensions of the recess

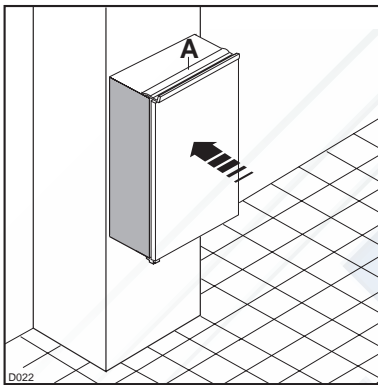
Height of housing	mm 880
Depth of housing	mm 550
Width of housing	mm 560



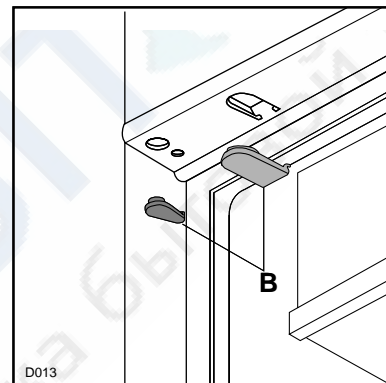
- Open the door and push the appliance against the side of the kitchen unit opposite to that of appliance hinges. Fasten the appliance with 4 screws provided in the kit included with the appliance. Snap vent grille (C) and hinge cover (D) into position.



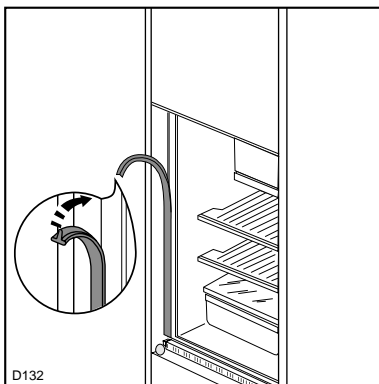
- Slide the appliance into the recess, pushing it against the wall on the handle side.



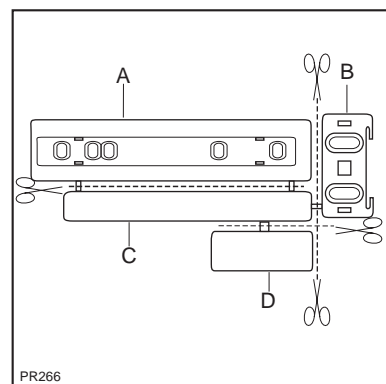
- Apply covers (B) on joint cover lugs and into hinge holes.



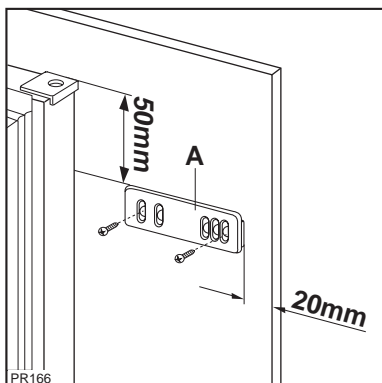
- Apply joint the sealing strip as shown in figure.



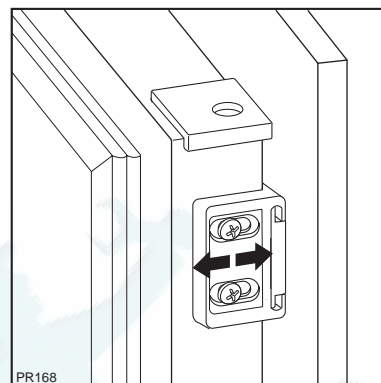
- Separate parts A, B, C, D as shown in the figure.



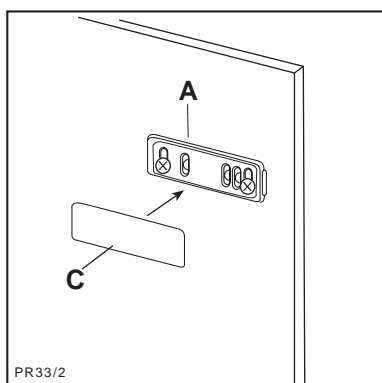
6. Place guide (A) on the inside part of the furniture door, up and down as shown in the figure and mark the position of external holes. After having drilled holes, fix the guide with the screws supplied.



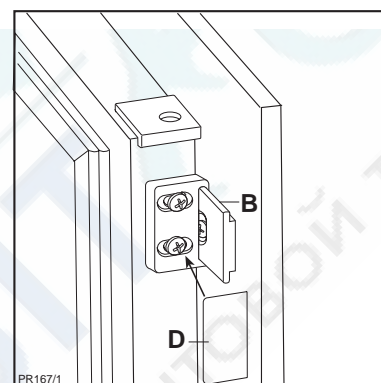
9. Should the lining up of the furniture door be necessary, use the clearance of slots. At the end of operations, it is necessary to check if the door of the furniture closes properly.



7. Fix cover (C) on guide (A) until it clips into place.

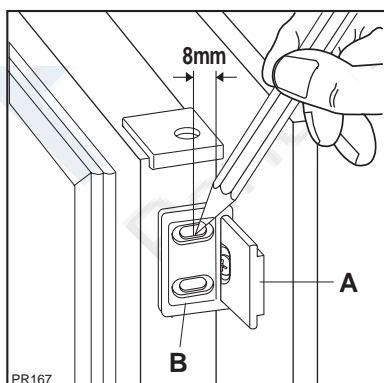


10. Fix cover (D) on guide (B) until it clips into place.



8. Open the appliance door and the furniture door at 90°. Insert the small square (B) into guide (A). Put together the appliance door and the furniture door and mark the holes as indicated in the figure.

Remove the squares and drill holes with $\varnothing 2$ mm at 8 mm from the outer edge of the door. Place the small square on the guide again and fix it with the screws supplied.



Техника безопасности



Чрезвычайно важно, чтобы данное руководство хранилось в надежном, но доступном для пользователей месте, чтобы в случае необходимости они всегда могли к нему обратиться. Если прибор будет продан или передан другому лицу, необходимо приложить к прибору и руководство по эксплуатации, чтобы новый владелец мог ознакомиться с работой машины и с соответствующими рекомендациями.

Данные рекомендации были подготовлены с целью обеспечения вашей безопасности при пользовании прибором. Перед установкой или использованием прибора рекомендуем вам внимательно ознакомиться с инструкцией.

Общие сведения о безопасности

- Если ваш прибор оснащен замком, а не магнитным уплотнителем, при утилизации старого холодильника с замком мы рекомендуем вывести замок из строя. Это позволит избежать несчастных случаев, когда дети во время игры могут оказаться запертыми внутри прибора.
- Перед проведением любых работ по уходу и техническому обслуживанию прибора, а также в случае замены лампочки (при наличии) необходимо вынуть вилку прибора из розетки.
- Данный прибор предназначен для использования только взрослыми. Следите за тем, чтобы дети не приближались к прибору и не играли с его регуляторами.
- Убедитесь, что после установки прибор не стоит на кабеле питания.
- Ни в коем случае не пытайтесь вносить какие-либо изменения в устройство данного прибора!
- **При перемещении прибора старайтесь не повредить элементы холодильной установки и предотвратить вытекание хладагента.**
- Прибор не следует устанавливать рядом с отопительными батареями или газовыми плитами.
- Избегайте продолжительного попадания на прибор солнечных лучей.
- Необходимо обеспечить надлежащую циркуляцию воздуха вокруг задней части прибора. Контур хладагента ни в коем случае не должен быть поврежден.
- Только для морозильников (кроме встроенных): наилучшее место установки - это погреб.
- Не ставьте в холодильник другие электроприборы (например, мороженицу), если в инструкциях к этим приборам не указано, что вы можете это сделать.

Обслуживание и ремонт

- Любые изменения бытовой электрической системы, необходимые для подключения прибора, должны быть выполнены уполномоченным на это специалистом.

- Ни в коем случае не пытайтесь отремонтировать прибор самостоятельно. Ремонт, выполненный неквалифицированным персоналом, может стать причиной ущерба. Обратитесь в ближайший авторизованный изготовителем сервисный центр (см. отдельный список сервисных центров). Для ремонта должны использоваться только фирменные запасные части.
- Не используйте никаких механических инструментов или других искусственных средств для ускорения размораживания, кроме указанных в данном руководстве.

Эксплуатация

- Домашние холодильники и/или морозильники предназначены только для хранения и/или замораживания продуктов питания.
- Во всех холодильных приборах имеются поверхности, покрываемые инеем. В зависимости от модели этот иней может удаляться автоматически (автоматическое размораживание) или вручную. Ни в коем случае не пытайтесь удалить иней заостренным предметом: это может безвозвратно повредить испаритель.
- Ни в коем случае не кладите в низкотемпературные отсеки (морозильник или холодильник) газированные напитки, так как они могут взорваться.
- Не кладите в холодильник горячие жидкости или продукты, и не наполняйте сосуды с крышкой жидкостью под горлышко.
- Холодильная система данного прибора содержит углеводороды, поэтому, обслуживание и заправка должны выполняться только персоналом, уполномоченным изготовителем.
- Не пользуйтесь металлическими предметами для чистки прибора, так как они могут повредить его.

Установка

- Во время нормальной работы конденсатор и компрессор, которые находятся в задней части прибора, значительно нагреваются. В целях вашей безопасности необходимо обеспечить надлежащую циркуляцию воздуха за прибором (см. раздел “Монтаж”).
Внимание: ни в коем случае не заслоняйте вентиляционные отверстия.
- Если прибор перевозится в горизонтальном положении, возможно, что масло, содержащееся в компрессоре, попадет в холодильный контур.



Предупреждающий треугольный сигнал, а также слова указывают на примечания, важные для Вашей безопасности или для работы холодильника. Пожалуйста, обязательно обращайтесь на них внимание.



Под этим знаком Вы найдете дополнительную информацию по обслуживанию и практическому применению прибора.



“Листиком клевера” помечены советы и примечания по экономичному и экологичному использованию холодильника.




Защита окружающей среды

- **Холодильная система и теплоизоляция данного прибора не содержит озоноразрушающих компонентов. Прибор нельзя утилизировать вместе с городскими отходами и металлоломом. Необходимо предотвратить повреждение холодильной системы, особенно в задней части, рядом с теплообменником. Информацию о центрах утилизации можно получить в местной администрации.**

Утилизация

Информация об упаковке холодильника

- Используемые в данном приборе материалы с символом  могут быть переработаны для дальнейшего использования.
>PE<= для полиэтилена, например, наружная плёнка и пакеты внутри.
>PS<= для полистирола, например, панели, которые не содержат хлористо-фтористый углерод.

Все использованные материалы являются экологически безопасными! Информацию о расписании вывоза отходов или местах, куда можно поместить их можно получить в органах местной власти.

Содержание

Техника безопасности	36
Утилизация	37
Эксплуатация Перед вводом в эксплуатацию / Включение прибора / Регулировка температуры ..	38
Внутреннее оборудование	38
Советы	39
Уход Размораживание	39
Периодическая чистка / Внутреннее освещение	40
Что делать, если	40
Техническое обслуживание и сервисные центры / Технические данные	41
Монтаж Место установки	41
Подключение к электросети	42
Изменение направления открывания двери	42
Инструкции по встроенной установке	43

Эксплуатация

Перед вводом в эксплуатацию

i Поставьте прибор в вертикальное положение не менее чем на 2 часа перед его включением, чтобы масло вытекло в компрессор.

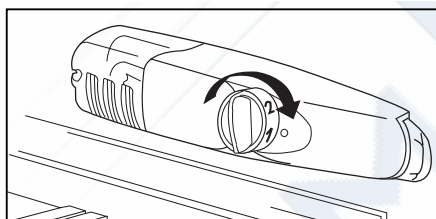
- До ввода прибора в эксплуатацию рекомендуется вымыть внутренние поверхности и аксессуары прибора теплой водой и мягким моющим средством для устранения запаха нового прибора. Аккуратно вытрите прибор насухо.

! Для чистки внутренней части прибора не следует использовать моющие средства с острым запахом или абразивные порошки, которые могут повредить покрытие.

- Холодильник и детали его внутреннего оборудования защищены от возможных повреждений при транспортировке. Удалите из внутреннего помещения холодильника всю клейкую ленту и мягкие прокладки.

Включение прибора

- Вставьте вилку в розетку. Откройте дверь холодильника. Вверху, с правой стороны в холодильной камере, находится терморегулятор.



- Поворачивая по часовой стрелке его ручку, выведите терморегулятор из положения «О» (выключен). Прибор работает.

Регулировка температуры

- Температура регулируется автоматически.
- Установленную температуру можно повысить поворотом ручки на более низкие значения (менее интенсивное охлаждение), или понизить поворотом ручки на более высокие значения (более интенсивное охлаждение).
- Наиболее подходящее положение необходимо определять с учетом того, что на температуру внутри прибора влияют следующие факторы:
 - температура окружающей среды;
 - частота открытия двери;
 - количество хранимых продуктов;
 - расположение прибора.

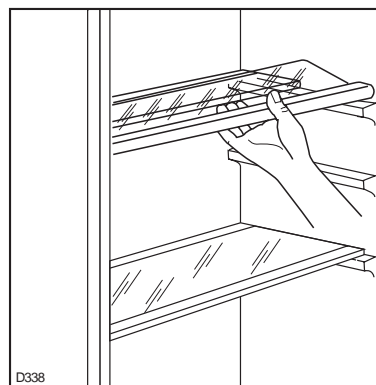
В большинстве случаев подходит среднее положение термостата.

Чтобы выключить холодильник, просто поверните терморегулятор в положение «О».

Внутреннее оборудование

Полки

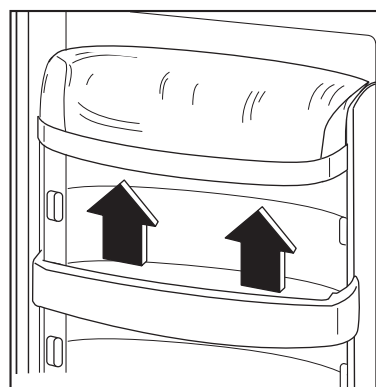
- На стенках камеры имеются направляющие, которые позволяют устанавливать полки на различных уровнях.
- Для наилучшего использования объема передние половины полок могут накладываться на задние.



- При установке полки на другую высоту, пожалуйста, сделайте вышеописанную процедуру в обратном порядке.

i Чтобы фрукты и овощи дольше сохраняли свою свежесть, стеклянная полка должна всегда находиться в этом положении.

- Положение дверных полок может изменяться.
- Потяните полку в указанном стрелками направлении до ее отсоединения, после чего установите полку в необходимом положении.



- Для более тщательной уборки верхнюю полку можно удалить, потянув ее в указанном направлении, после чего полку следует установить в необходимое положение.

Советы



Советы по сбережению электроэнергии

- Не ставьте холодильник рядом с плитами, отопительными и другими нагревательными приборами. При высокой температуре окружающей среды компрессор включается чаще и работает дольше.
- Обеспечивайте достаточное проветривание и вентиляцию цоколя и задней стенки холодильника. Никогда не загораживайте вентиляционные отверстия.
- Если вы установите термостат на интенсивное охлаждение при повышенной температуре окружающей среды, то холодильник будет работать непрерывно, при этом на задней стенке камеры образуется иней или лед. В этом случае необходимо перевести ручку терморегулятора на более высокую температуру, чтобы обеспечить правильное размораживание.
- Не ставьте в холодильник разогретую пищу, сначала давайте ей остыть.
- Не держите дверь открытой дольше, чем нужно.
- Не устанавливайте в холодильнике температуру ниже, чем необходимо.
- Конденсатор и компрессор следует чистить щеткой или пылесосом, это обеспечит хорошую работу прибора и позволит сэкономить электроэнергию.

Хранение охлажденных продуктов

- Холодильное отделение подходит для охлаждения продуктов и напитков.
- Не помещать в камеру горячие блюда или образующие пар жидкости, накрывать или упаковывать в пленку продукты (в особенности, если они содержат ароматические добавки).
- Не покрывать полки никакими защитными материалами (бумагой, пластмассовыми листами), потому что эти материалы препятствуют циркуляции воздуха внутри прибора.

Рекомендации по правильному хранению продуктов:

- **Готовая пища, холодные блюда:** хорошо упакуйте и положите на любую полку холодильника.
- **Фрукты и овощи:** необходимо поместить их в нижний ящик.
- **Сливочное масло и сыр:** храните в специальных емкостях или заверните их в полиэтиленовую пленку или алюминиевую фольгу, чтобы предотвратить контакт с воздухом.
- **Молоко в бутылках:** плотно закройте и поставьте в специальные держатели.
- **Сырое мясо** (говядина, свинина, баранина или птица): необходимо упаковать в полиэтиленовые пакеты и поместить на стеклянную полку над ящиками для овощей. В этом положении мясо может храниться максимум один или два дня.

Бананы, картофель, лук и чеснок не следует класть в холодильник без специальной упаковки.

Уход



Перед выполнением любых операций по уходу и техническому обслуживанию следует вынуть вилку из розетки.



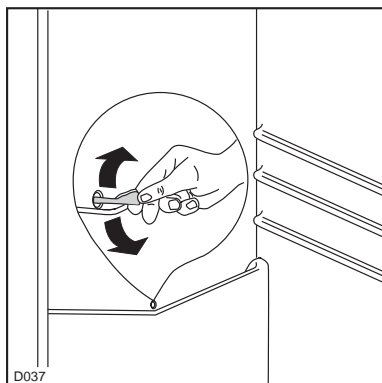
Предупреждение

Охлаждающая система данного прибора содержит углеводород, поэтому профилактические работы и заправку прибора должны проводить только специалисты из авторизованных изготовителем сервисных центров.

Размораживание

- На испарителе холодильной камеры иней удаляется автоматически при каждой остановке компрессора. Талая вода собирается в специальный желоб и стекает в специальную ванночку, расположенную в задней части над компрессором прибора, откуда она испаряется.

- Рекомендуется периодически прочищать отверстие для слива талой воды, расположенное в центральной части желоба в холодильном отсеке, используя для этого специальный очиститель.

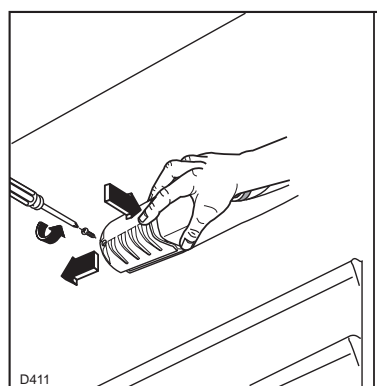


Когда прибор не используется

- выньте штепсель из розетки;
- выньте из холодильника все продукты;
- разморозьте холодильник и вымойте холодильную камеру и все принадлежности;
- оставьте дверь холодильника приоткрытой, чтобы в него был свободный доступ воздуха и не образовался неприятный запах.

Внутреннее освещение

- Перед сменой лампы отключить прибор и вынуть сетевой штепсель из электророзетки или же отключить или вывинтить предохранитель.
 1. Чтобы заменить лампу, надо вывернуть винт с крестообразно-шлицевой головкой и движением назад снять футляр лампы.
 2. Заменить неисправную лампу.



3. Снова надеть футляр лампы и завернуть винт с крестообразно-шлицевой головкой. Мощность лампы указана на крышке.

Периодическая чистка

- Внутреннюю часть прибора можно вымыть теплым раствором пищевой соды (1 столовая ложка на 4 литра воды).
- Наружные поверхности холодильника можно вымыть теплой водой с моющим средством для ручного мытья посуды или очистить полиролем, содержащим силикон.
- Не следует использовать абразивные средства.

Что делать, если ...

Если вы обнаружили неполадки в работе прибора проверьте следующее:

Проблема	Решение
Дверь не закрывается	Выровняйте положение прибора, если прибор стоит неровно. Вес продуктов на дверных полках превышает допустимый предел - распределите нагрузку более равномерно или уберите с дверных полок часть продуктов. Отрегулируйте положение дверей, если они не выровнены.
В холодильнике слишком тепло	Установите более низкую температуру. Разместите продукты так, чтобы холодный воздух мог свободно циркулировать между ними. Убедитесь в том, что дверь плотно закрывается и что дверная прокладка не повреждена и не загрязнена. Температура помещения, в котором установлен холодильник, выше обычной комнатной температуры.
В холодильнике слишком холодно	Установите более высокую температуру.

Проблема	Решение
Компрессор постоянно работает	Установите ручку термостата на более низкое значение. Температура в месте, в котором расположен холодильник, выше обычной комнатной температуры. Проверьте, нормально ли вентилируется прибор и не закрыты ли его вентиляционные отверстия. Возможно, вы положили в холодильник сразу слишком много продуктов и/или слишком часто открывали дверцу.
Вода на полу или на полках для продуктов.	Закупорено отверстие для слива воды. Подробнее см. в раздел "Уход".
Шумы	Иногда это совершенно нормально, что прибор издает шумы. Охлаждающий газ, протекая по трубкам охлаждающей цепи, может издавать бульканье. Мотор может издавать жужжание и/или легкий стук. Используемый в приборе изоляционный материал, хотя и обеспечивает хорошую изоляцию и низкое энергопотребление, имеет тенденцию слегка усиливать уровень шума. Иногда вы можете слышать, как работают вентиляторы. Не беспокойтесь. Вентиляторы просто заставляют воздух циркулировать более интенсивно.

Техническое обслуживание и сервисные центры

Если все описанные выше операции не устранили неполадки, то необходимо обратиться в сервис-центр, указав при этом модель и заводской номер прибора, приведенные на табличке с техническими данными (табличка наклеена снизу на внутренней левой стенке прибора).

Список авторизованных изготовителем сервисных центров приведен в отдельном.

Технические данные

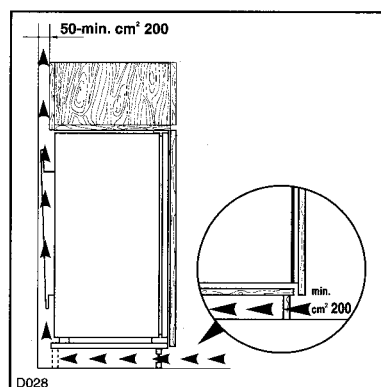
Технические данные указаны на заводской табличке, расположенной во внутренней части прибора, слева.

Монтаж

Место установки

- Прибор не следует устанавливать вблизи любых источников тепла (калориферов, печей, прямого солнечного излучения и т.п.).
- **Внимание:** ни коим образом не заслоняйте вентиляционные отверстия.

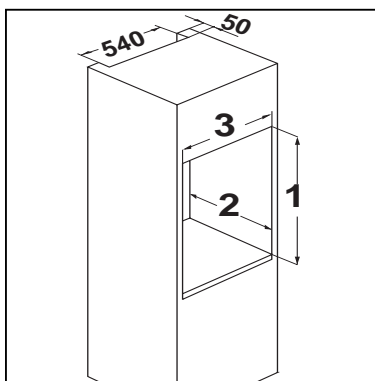
- По причинам безопасности вентиляция должна быть такой, как показано на рис.



- Необходимо, чтобы проем, в который производится встраивание, имел вентиляционное отверстие следующих размеров:

Глубина 50 мм

Ширина 540 мм



Климатическая классификация приводится на заводской табличке, которая расположена слева, внутри холодильника.

В таблице ниже указывается, какая температура окружающей среды является правильной для каждой климатической классификации:

климатический тип	для температуры окружающей среды от
SN	+10 до +32°C
N	+16 до +32°C
ST	+18 до +38°C
T	+18 до +43°C

Подключение к электросети

Перед подключением прибора к источнику электроэнергии проверьте соответствие напряжения и частоты домашней сети данным из заводской таблички прибора.

Допустимое отклонение от номинального напряжения прибора $\pm 6\%$.

При подключении прибора к электросети с другим напряжением следует использовать трансформатор подходящей выходной мощности.



Важная информация!

Прибор должен быть подключен к эффективной системе заземления.

Кабель питания имеет специальный заземляющий контакт.

При отсутствии надлежащего заземления в домашней электроразводке прибор должен быть подключен к специальному проводу заземления специалистом-электриком при соблюдении установленных правил безопасности.

Завод-изготовитель не отвечает за несчастные случаи, произошедшие по причине несоблюдения приведенных рекомендации.

Прибор соответствует также следующим директивам:

CE - **73/23/CEE** 19/02/73 (Директива по низкому напряжению) с последующими изменениями.

- **87/308/CEE** 02/06/87 (о подавлении радиопомех) с последующими изменениями.

- **89/336/CEE** 03/05/89 (Директива по электромагнитной совместимости) с последующими изменениями.



Внимание

Следует предусмотреть возможность отключения прибора от сети, следовательно, необходимо, чтобы после установки к вилке имелся доступ.

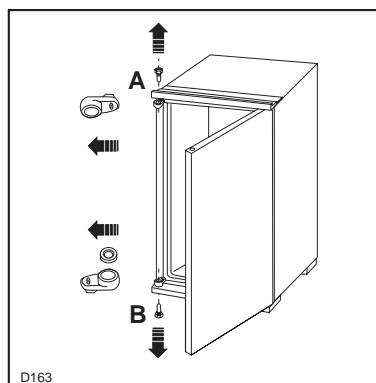
Изменение направления открывания двери

Для перевозки дверь прибора закреплена специальными болтами. Удалите верхний и нижний болты согласно направлению открывания двери.



Предупреждение!

При низкой температуре окружающей среды (например, зимой), уплотнение двери может неплотно прилегать к корпусу прибора. В этом случае либо подождите, пока уплотнение само не примет нужную форму, либо ускорьте этот процесс, нагревая его обычным феном для сушки волос.



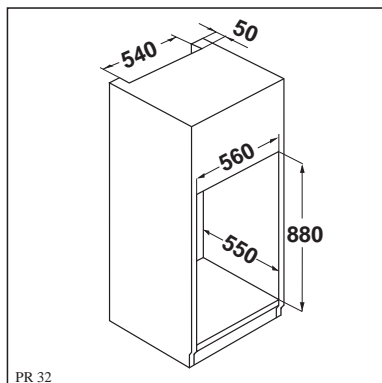
Инструкции по встроенной установке

Размеры проёма

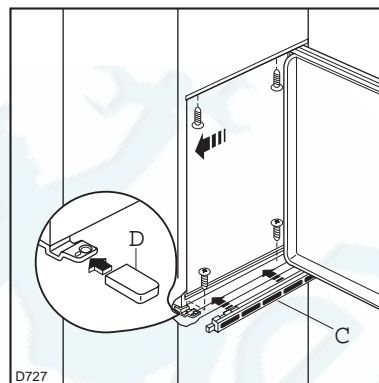
Высота 880 мм

Глубина 550 мм

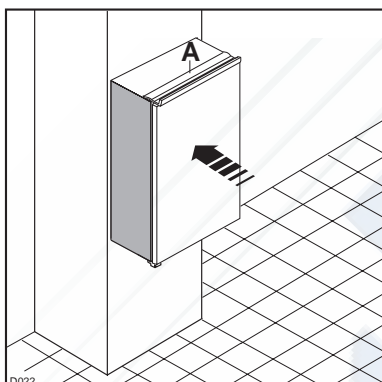
Ширина 560 мм



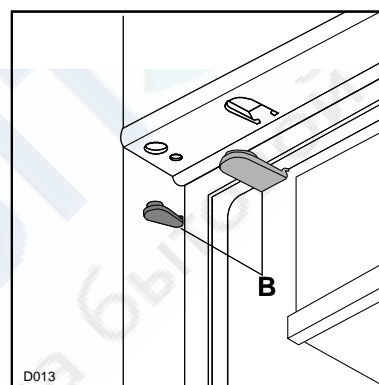
3. Приблизить прибор к боковине мебели, противоположной петлям. Закрепить прибор имеющимися 4 винтами. Установить вентиляционную решётку (C) и накладку петли (D), защёлкнув их.



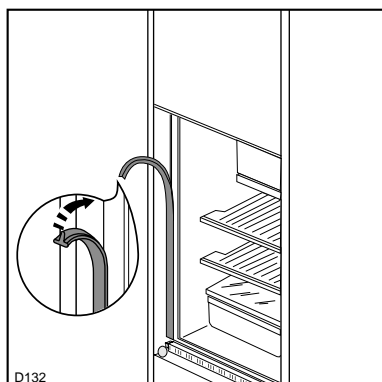
1. Вставить прибор в проём до тех пор, пока верхний стопор (A) не упрётся в панель мебели.



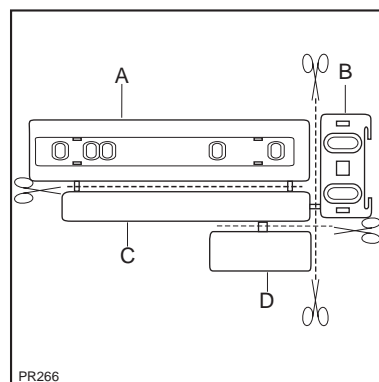
4. Вставить крышки (B) в отверстия петель.



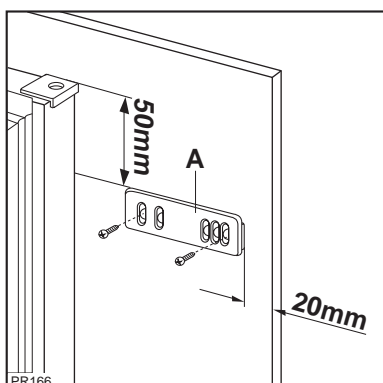
2. Установить, прилагая усилие, декоративную ленту между прибором и мебелью.



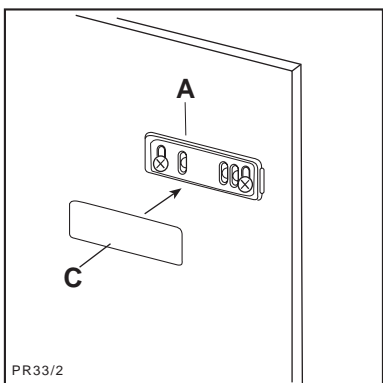
5. Отделите детали A, B, C, D, как показано на рисунке.



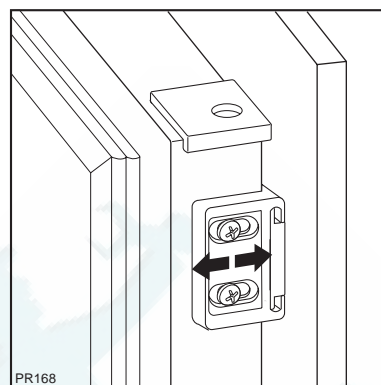
6. Приложите направляющую (A) на внутреннюю сторону двери шкафа, сверху и снизу, как показано на рисунке, и отметьте положение крайних отверстий. Подготовив отверстия, установите направляющую при помощи входящих в комплект винтов.



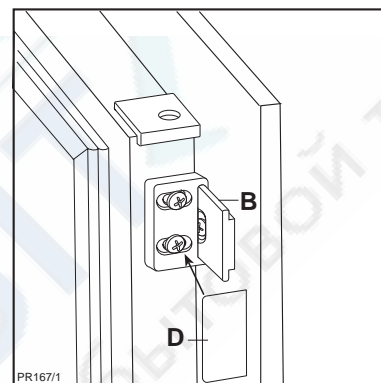
7. Установите и защелкните крышку (C) на направляющей (A).



9. Для выравнивания двери шкафа пользуйтесь регулировочными прорезями. Выполнив эти операции, необходимо проверить плотность закрытия двери прибора.



10. Установите и защелкните крышку (D) на направляющей (B).



8. Откройте дверь морозильника и шкафа приблизительно на 90°. Вставьте кронштейн (B) в направляющую (A). Удерживайте двери прибора и шкафа вместе и отметьте отверстия, как показано на рисунке. Снимите кронштейны и просверлите отверстия диаметром 2 мм на расстоянии 8 мм от наружной кромки двери. Вновь установите кронштейн на направляющую и закрепите входящими в комплект винтами.

